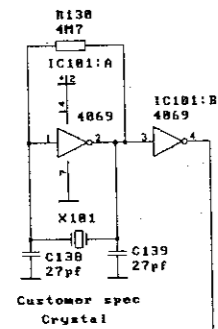
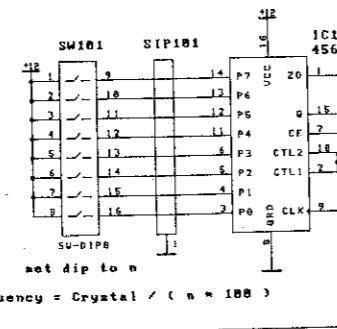


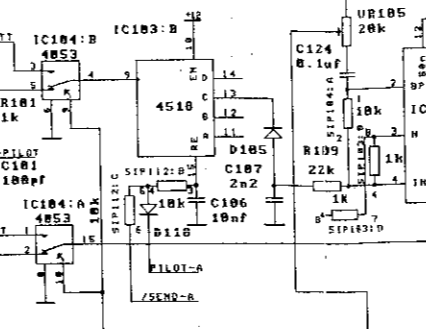
Master oscillator



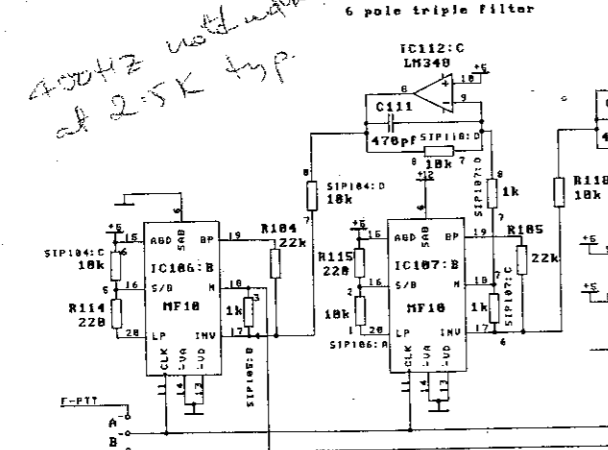
Divider



Tone generator

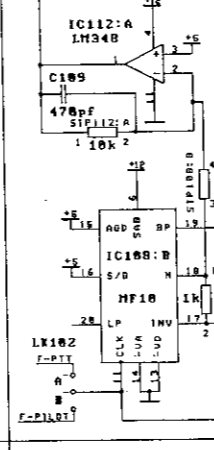


Main notch filter

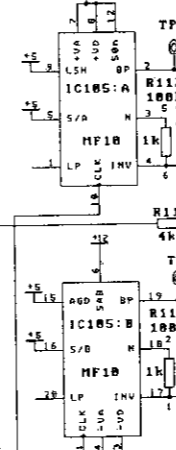


400kHz notch width at 2.5K typ.

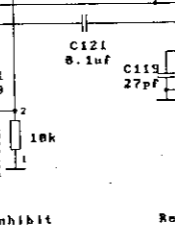
Pilot tone filter



PTT tone Detector

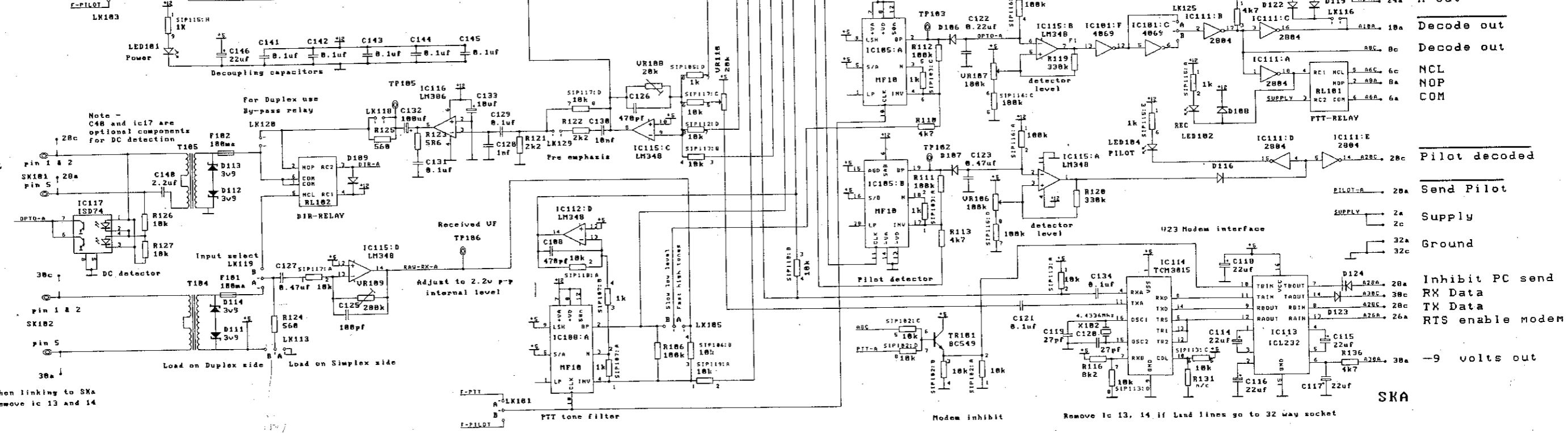


Modem inhibit



Line Out (Simplex)

Line In



Note - C48 and ic17 are optional components for DC detection

When linking to SKA remove ic 13 And 14

- UF FROM LAND LINE (output port) 14a
- 14c
- UF TO LAND LINE (Input port) 18c
- 18a
- Aux input 16a
- 16c
- Aux output 26c
- Enable Aux output 10c
- Send / Rec 12c
- Send / Rec 12c
- Tone PTT 4a
- Tone PTT 4a
- E in 24c
- M in 22a
- E out 22c
- M out 24a
- Decode out 8c
- Decode out 8c
- NCL 6c
- NOP 8a
- COM 6a
- Pilot decoded 28c
- Send Pilot 28a
- Supply 2a
- 2c
- Ground 32a
- 32c
- Inhibit PC send 28a
- RX Data 38c
- TX Data 28c
- RIS enable modem 26a
- 9 volts out 38a
- SKA

SCALE	BY	DATE
	N.de S	23.10.89
	N.de S	23.10.89
	R.E.	27.10.89
	R.E.	27.10.89

CLIENT	DRG No.	REV

UNILAS
TELECOMMUNICATIONS
459 SCARBOROUGH BEACH ROAD
OSBORNE PARK, WA, 6017
TELEPHONE (09) 44 9855
TELEX AA96245

TITLE	DRAWING No.	REV
LIM-5 CIRCUIT DIAGRAM (UPPER HALF) SHEET 1 OF 2.	CD 211.1	

REFERENCE	DRAWINGS	ORG. No.	No.	DATE	REVISION	DRN	CKD	APP	ENGINEER
B	9.190				COMPONENT VALUE CHANGES.	NDS			
A	26.10.89				INITIAL	NDS	RE	RE	